



Model Number

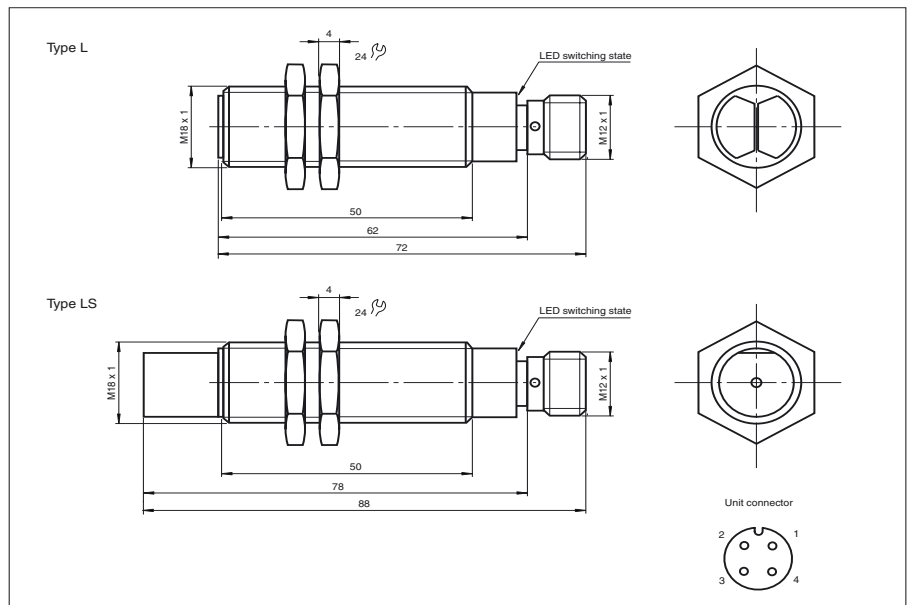
VL18-6-LS/32/40b/73

Retro-reflective sensor
with 4-pin, M12 x 1 plastic connector

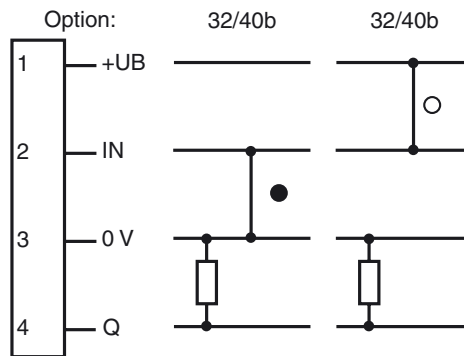
Features

- Detection range up to 6000 mm
- M18 threaded housing made of plastic
- Infrared light design
- Optical surface flush with housing
- Electrical light-/dark switching
- Optical face alternatively lateral or frontal

Dimensions



Electrical connection



○ = Light on
● = Dark on

Release date: 2009-08-18 16:19 Date of issue: 2009-08-18 418933_ENG.xml

Subject to modifications without notice

Pepperl+Fuchs Group
www.pepperl-fuchs.com

USA: +1 330 486 0001
fa-info@us.pepperl-fuchs.com

Germany: +49 621 776-4411
fa-info@pepperl-fuchs.com

Copyright Pepperl+Fuchs
Singapore: +65 6779 9091
fa-info@sg.pepperl-fuchs.com

Technical data

General specifications

Effective detection range	0 ... 4 m
Reflector distance	0.1 ... 4 m
Threshold detection range	6 m (with C110-2 reflector)
Light source	IRED
Approvals	CE
USA	UL
Kanada	CSA
Light type	infrared, modulated light
Diameter of the light spot	approx. 200 mm at 4000 mm detection range
Angle of divergence	approx. 4 °
Optical face	lateral
Ambient light limit	90000 Lux

Indicators/operating means

Function display	LED red
------------------	---------

Electrical specifications

Operating voltage	U_B	10 ... 30 V DC
Ripple		5 %
No-load supply current	I_0	< 35 mA

Output

Switching type	Light/dark ON selectable programmable	
Signal output	1 pnp, short-circuit proof, protected against reverse polarity	
Switching voltage	30 V DC	
Switching current	max. 100 mA	
Switching frequency	f	500 Hz
Response time		1 ms

Standard conformity

Standards	EN 60947-5-2
-----------	--------------

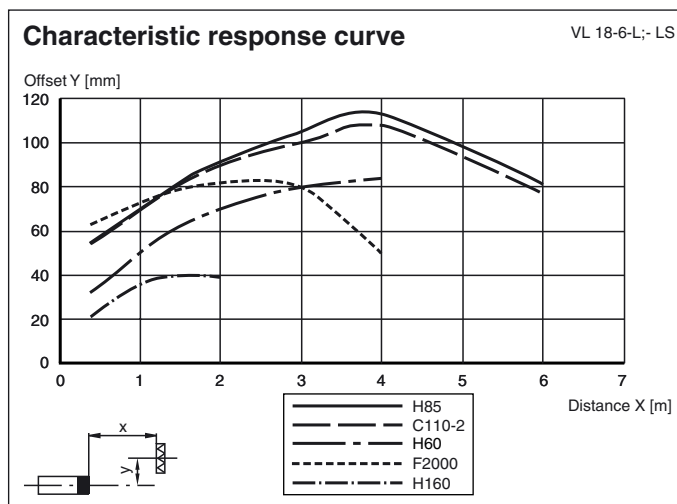
Ambient conditions

Ambient temperature	-35 ... 60 °C (238 ... 333 K)
Storage temperature	-20 ... 60 °C (253 ... 333 K)

Mechanical specifications

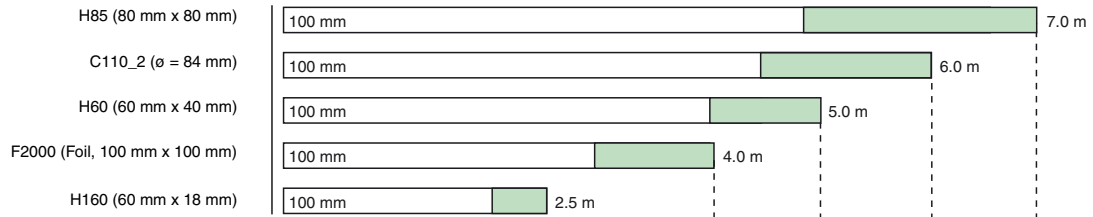
Protection degree	IP67
Connection	M12 connector, 4-pin
Material	
Housing	plastic
Optical face	plastic
Mass	30 g

Curves/Diagrams



Relative received light strength

Reflector type:



Stability control > 3
 Stability control < 3

